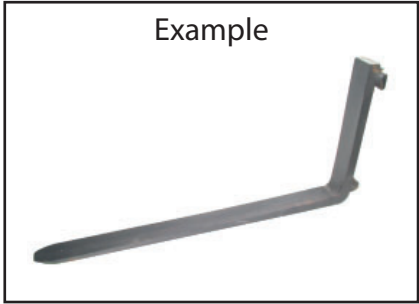


TECHNICAL SHEET

FORKS

Group
10-01-09-00



Customer details

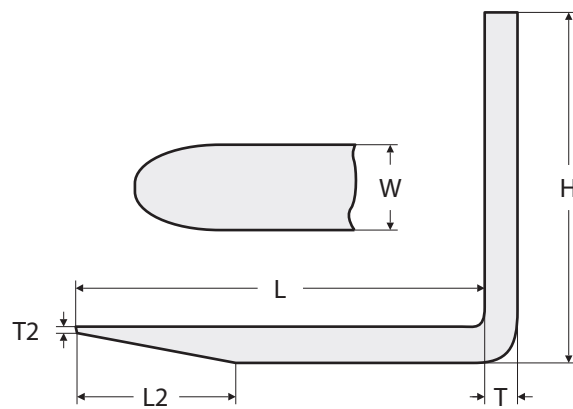
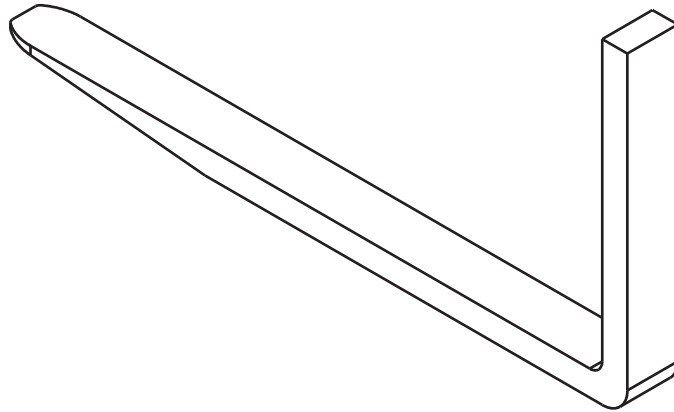
Type machine: Price inquiry
 Serial no. machine: Order

CODE: TY x W x T x L x H x L2 x L3 x L4 x L5 x L6 x H2 x H3 x H4 x H5 x H6 x H7 x H8 x T2 x X1 x X2 x D1 x D2 x G

- ... TY..... Fork type, see types.
- ... W Width of the fork.
- ... T Thickness of the forks taken on the back (vertical part).
- ... L Applicable length measured from inside of the back to the tip.
- ... H..... Total backheight from bottom to top of fork.
- ... L2..... Length of the fork taper on the bottom.
- ... L3..... Inner clearance upper hook to back of fork.
- ... L4..... Inner clearance bottom hook to back of fork.
- ... L5..... Total length of the top hook.
- ... L6..... Total length of the bottom hook.
- ... H2 Backheight from bottom of fork to the centre of the tube.
- ... H3 Height upper fixing bracket to the bottom of the fork.
- ... H4 Distance between the fixing brackets.
- ... H5 Smallest distance between the two hooks (measures hooktip to tip).
- ... H6 Distance between inside bottom hook and bottom of the fork (ground clearance).
- ... H7 Height fixing part top hook.
- ... H8 Height fixing part bottom hook.
- ... T2..... Tip thickness.
- ... X1..... Offset distance from centre tube to back of fork.
- ... X2..... Inset distance from centre tube to back of fork.
- ... D1 External diameter of the tube.
- ... D2 Internal diameter of the tube/fixation hole.
- ... G..... Weight per fork in kg.

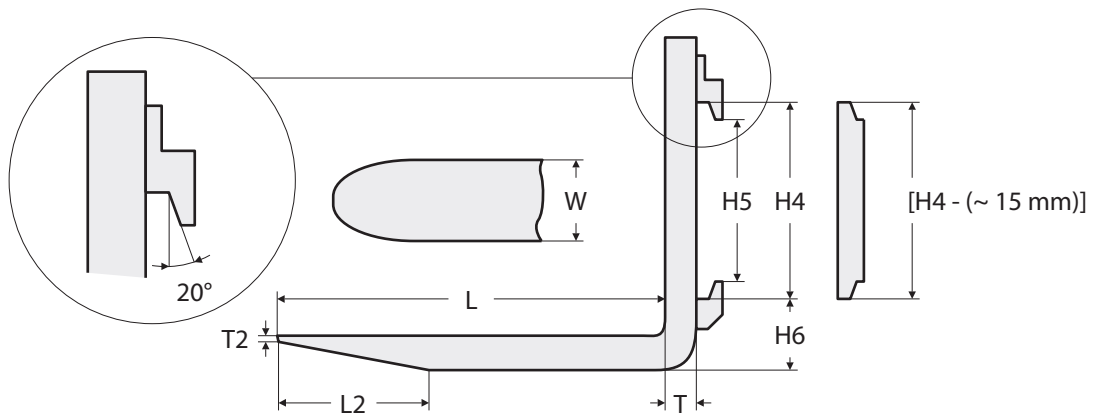
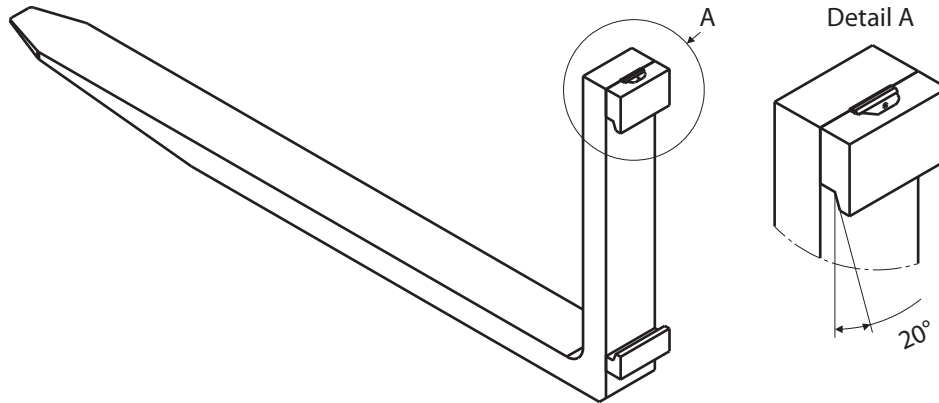
TYPES AND DIMENSIONS

Blank



TYPES AND DIMENSIONS

FEM

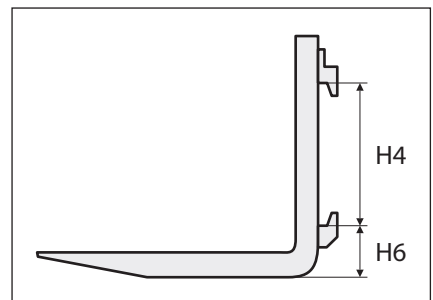


Type determination

Use this table to determine the standard type.

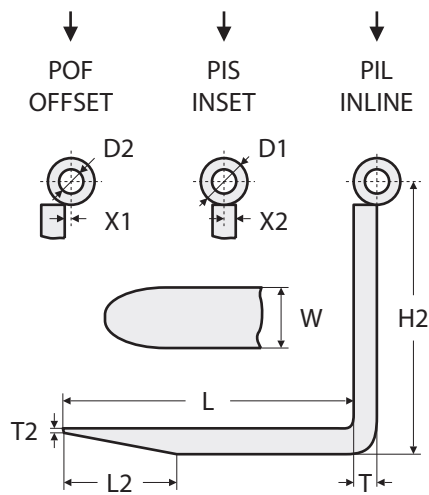
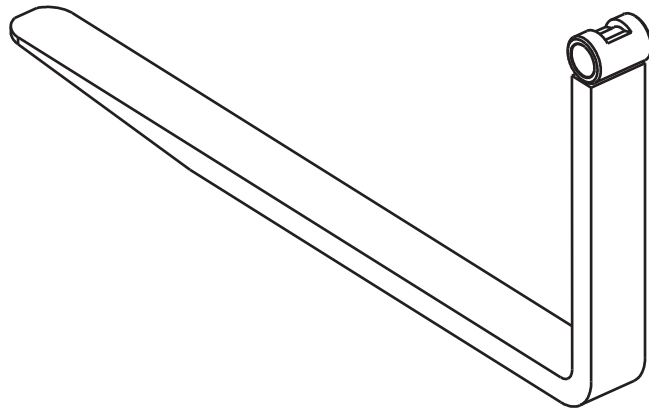
E.g. a standard fork with H4 = 508 and H6 = 203 is type 3B.

Class	H6		
	H4	A	B
FEM 1	331	76	114
FEM 2	407	76	152
FEM 3	508	76	203
FEM 4	635	127	254
FEM 5	728	127	257



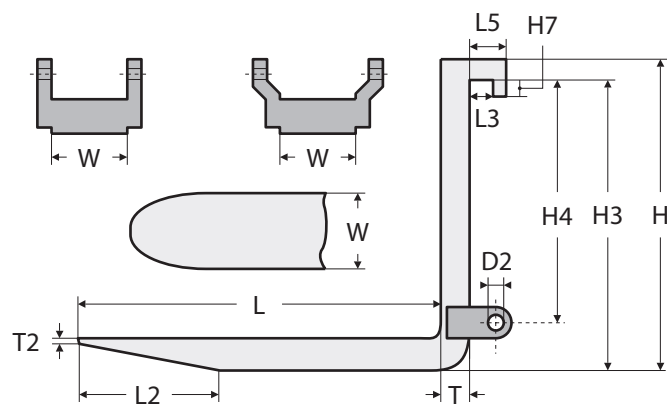
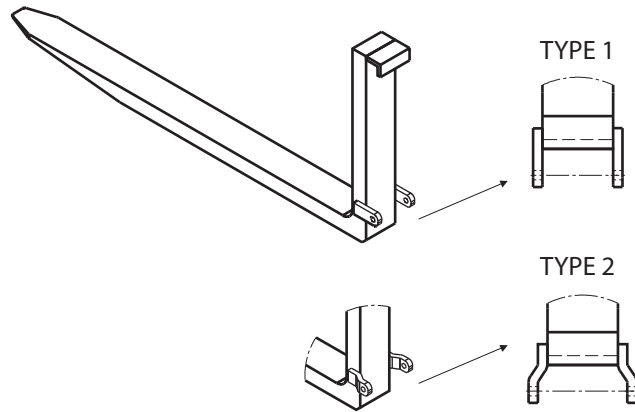
TYPES AND DIMENSIONS

Pin



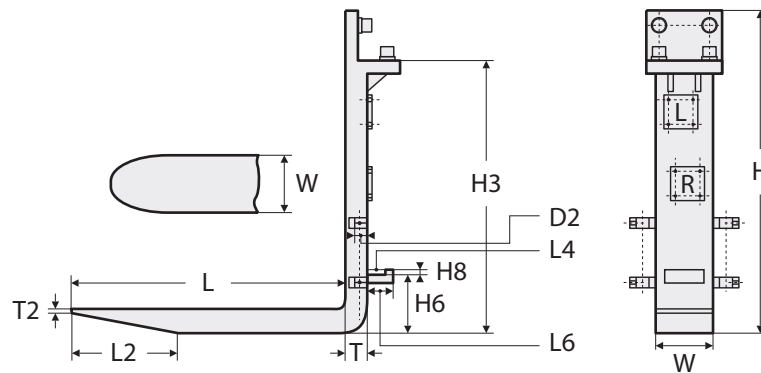
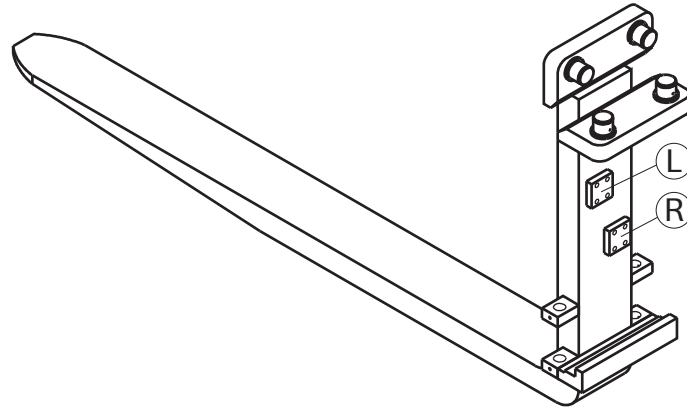
TYPES AND DIMENSIONS

Terminal west (TW)



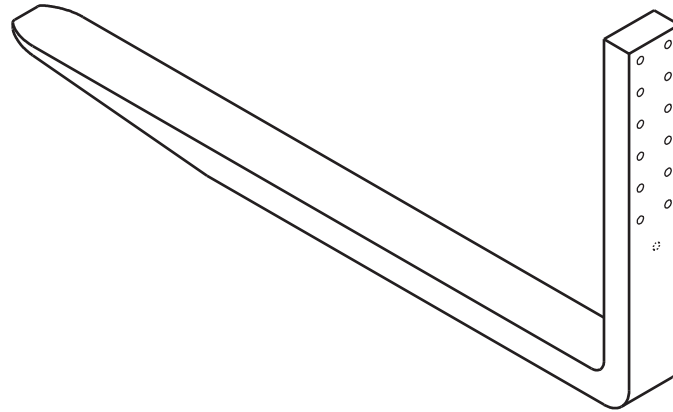
TYPES AND DIMENSIONS

SVGV



TYPES AND DIMENSIONS

Bolted (GB)



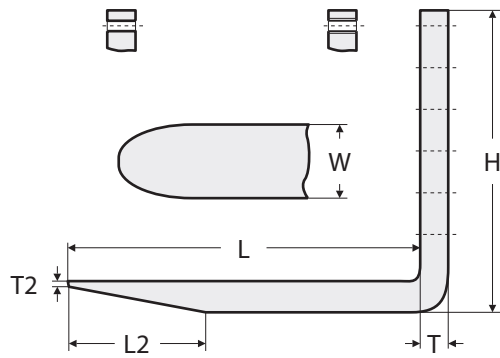
VERSION A



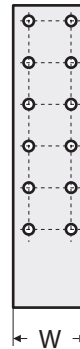
VERSION B



VERSION C



VERSION 1



VERSION 2

